

G X3H - G X3S - G X4H - G X4S - G X5H - G X5S

Light-oil burners single stage.

They are composed by: aluminium frame, protection cover with noise reduction plate, combustion head with micro adjustment at high efficiency and high flame stability.

Compact overall dimensions and disposition rationalized of the components with accessibility facilitated for the operations of setting and maintenance.

In the versions H hydraulic device of closing air shutter.

In the versions R preheater with control of temperature for soft and sicure ignitions also at low temperatures.

Complete of connector 7 poles, flange and gasket for installation on boiler, nozzle, flexible pipes, line filter.



Fig. 1 G X3H - G X3S



Fig. 2 G X4H - G X4S

TECHNICAL DATA G X3H - G X3S - G X4H - G X4S - G X5H - G X5S

MODEL		G X3H G X3S	G X4H G X4S	G X5H G X5S
Flow min. - max. *	[kg/h]	7-15	10-20	12-30
Thermal power min. - max. *	[Mcal/h]	71-153	102-204	122-306
Thermal power min. - max. *	[kW]	83-178	118-236	142-355
Fuel: LIGHT-OIL 1.5°E at 20°C = 6.2 cSt = 35 sec Redwood N°1				
Intermittent working operation (min. 1 stop every 24 hours) one stage				
Environmental conditions operation / storage:	-15...+40°C / -20...+70°C, rel. humidity max. 80%			
Max. temperature combustion air	[°C]	60		
Nominal electric power	[W]	220	250	600
Fan motor	[W]	150	200	450
Nominal current absorption	[A]	1	1.1	2.7
Power supply:	1N~230V - 50Hz			
Electric protection degree:	IP 40			
Noisiness min. - max. **	[db(A)]	66-66	67-68	71-72
Burner weight ***	[kg]	14	14	25

* Reference conditions: Environment temperature 20°C - Barometric pressure 1013 mbars - Altitude 0 metre (sea level).

** Measured sonorous pressure in the combustion laboratory, with burner on operation on beta boiler to 1m of distance (UNI EN ISO 3746).

*** For burner with cover in steel (F) please add 5 kg to the weight.

OPERATING RANGE DIAGRAM G X3H - G X3S - G X4H - G X4S - G X5H - G X5S

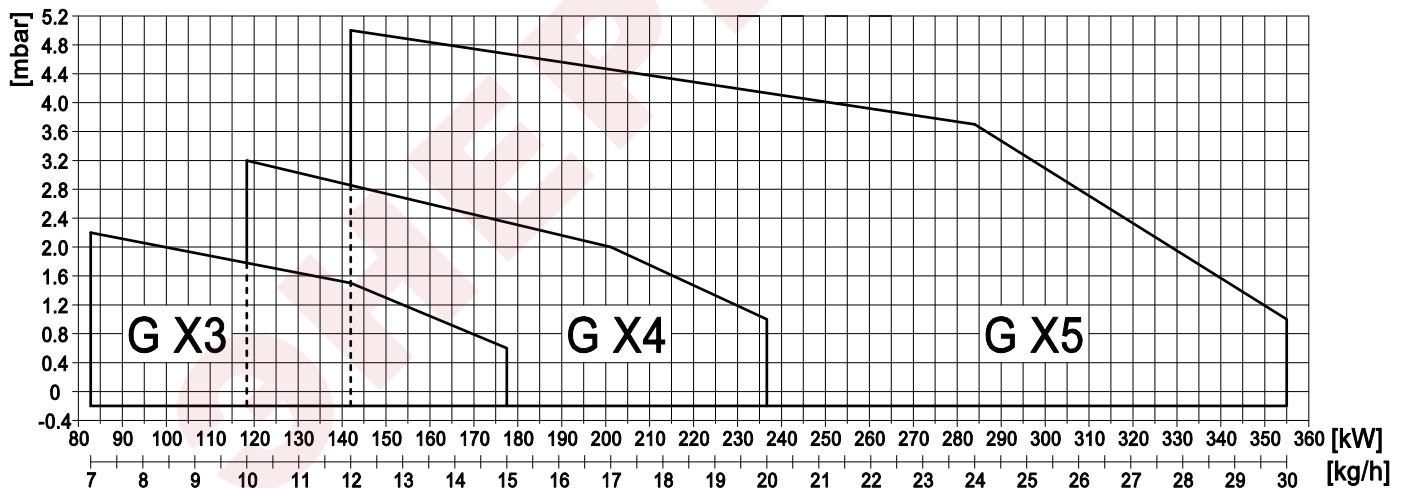


Fig. 3 X = Thermal power Y = Pression in the combustion chamber

The firing rates has been obtained based on test boilers in accordance with EN267 standards and are indicative of matching the burner to the boiler. For the correct operation of the burner, combustion chamber dimensions must be in accordance with current regulation. In case of non-compliance, contact the manufacturer.

DIMENSIONS [MM]

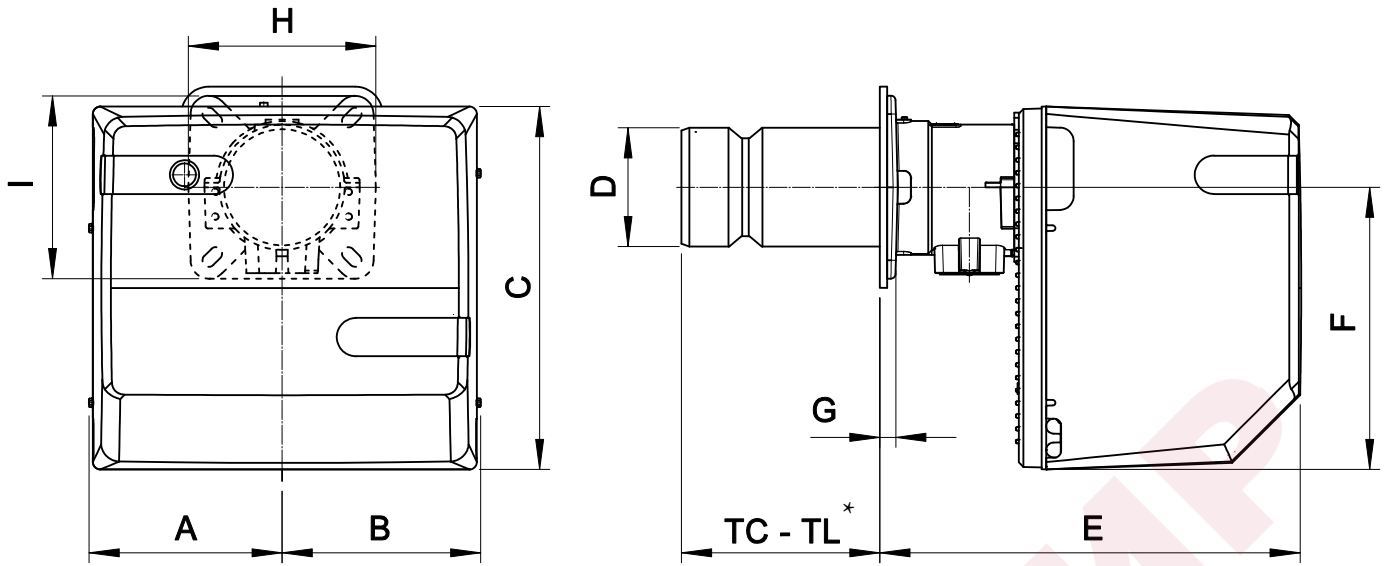
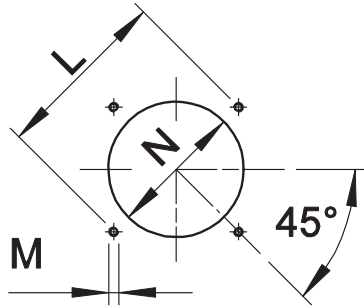


Fig. 4 Dimensions G X3H - G X3S - G X4H - G X4S - G X5H - G X5S

MODEL	A	B	C	D	E	F	G	H	I
G X3H G X3S	182	192	318	110	306	248	17	200	200
G X4H G X4S	182	192	318	124	306	248	17	200	200
G X5H G X5S	210	218	400	130	461	310	18	200	200

* See "flame tube length"



* Suggested dimension of connection between burner and generator.

Fig. 5 Boiler plate

MODEL		L min	L max	M	N min	N *	N max
G X3H G X3S	mm	160	226	M10	120	130	140
G X4H G X4S	mm	170	226	M10	130	140	160
G X5H G X5S	mm	205	226	M10	140	150	180

FLAME TUBE LENGTH

Flame tube length must be selected based on the specifications supplied by boiler manufacturer and, in any case, it must be greater than the thickness of the boiler door included its insulation.

In case of boilers with flame inversion or front flue combustion chambers, it is necessary to insulate the area between the flame tube and front door with refractory material. This protection material must not impede flame tube extraction.

MODEL		TC	TL **
G X3H G X3S	mm	130	250
G X4H G X4S	mm	130	250
G X5H G X5S	mm	215	335

** For different flame lengths, please contact our Technical-Sales Department.

PRODUCT SPECIFICATION

SHORT DESCRIPTION

Light-oil burners one stage.

DETAILED SPECIFICATION

Light-oil burner one stage composed by:

- Aluminium frame;
- Combustion head with micro adjustment at high efficiency and high flame stability;
- Protection cover with noise reduction plate;
- Flange and insulating gasket for fixing at boiler;
- Single-phase power supply;
- Photoresistance for flame detection;
- IP 40 electric protection level.

CONFORMING TO:

- CE rules;
- 2014/30/UE Directive E.M.C.;
- 2014/35/UE Directive L.V.;
- 2014/68/EU Directive M.D.;
- 97/23/CE Directive P.E.D.;
- Reference rules: EN267 (liquid fuel) - EN746-2 (industrial thermoprocessing equipment).

STANDARD EQUIPMENT

- Flexible hoses for connection;
- Line filter;
- Isomart gasket;
- Nozzle;
- Flange with insulating gasket;
- Burner nameplate;
- Warranty;
- Instruction handbook for installation, use and maintenance.

По вопросам продаж обращайтесь:

ЕКАТЕРИНБУРГ: +7 (343) 374-94-93

ЧЕЛЯБИНСК: +7 (351) 751-28-06

НИЖНИЙ ТАГИЛ: +7 (922) 171-31-23

ТЮМЕНЬ: +7 (3452) 60-84-52

КУРГАН: +7 (3522) 66-29-82

МАГНИТОГОРСК: +7 (922) 016-23-60

УФА: +7 (927) 236-00-24

ПЕРМЬ: +7 (342) 204-62-75

СУРГУТ: +7 (932) 402-58-83

НИЖНЕВАРТОВСК: +7 (3466) 21-98-83