

G X3.22-LX - G X4.22-LX - G X5.22-LX

Light-oil burners at two steps pressure - Low NO_x (NO_x < 120 mg/kWh).

They are composed by: aluminium frame, protection cover with noise reduction plate, combustion head with micrometric adjustment, high flame stability and low emissions.

Compact overall dimensions and disposition rationalized of the components with accessibility facilitated for the operations of setting and maintenance.

Complete of connector 7 poles for power supply, connector 4 poles for 2nd stage modulation, flange and gasket for installation on boiler, nozzle, flexible pipes, line filter.

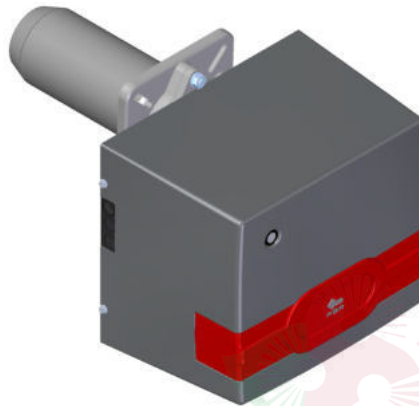


Fig. 1 G X3.22-LX

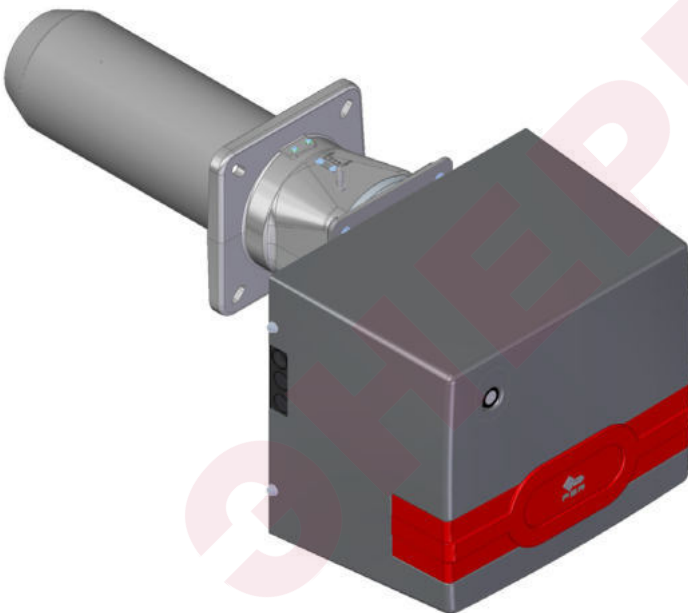


Fig. 2 G X4.22-LX

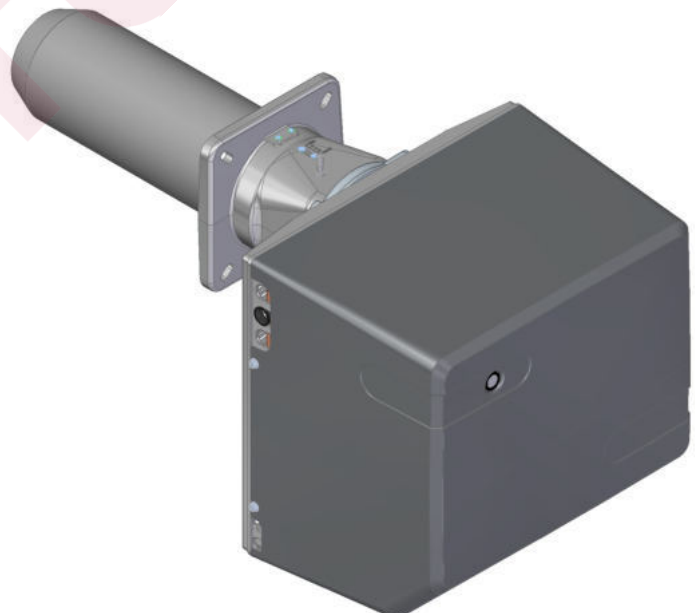


Fig. 3 G X5.22-LX

По вопросам продаж обращайтесь:
ЕКАТЕРИНБУРГ: +7 (343) 374-94-93
ЧЕЛЯБИНСК: +7 (351) 751-28-06
НИЖНИЙ ТАГИЛ: +7 (922) 171-31-23
ТЮМЕНЬ: +7 (3452) 60-84-52
КУРГАН: +7 (3522) 66-29-82

МАГНИТОГОРСК: +7 (922) 016-23-60
УФА: +7 (927) 236-00-24
ПЕРМЬ: +7 (342) 204-62-75
СУРГУТ: +7 (932) 402-58-83
НИЖНЕВАРТОВСК: +7 (3466) 21-98-83

TECHNICAL DATA G X3.22-LX - G X4.22-LX - G X5.22-LX

MODEL		G X3.22-LX	G X4.22-LX	G X5.22-LX
Flow min.1 ^{st.} / min. 2 ^{st.} - max. 2 ^{st.} *	[kg/h]	4.7/6.5-15	7.6/10-20	10.7/14-30
Thermal power min.1 ^{st.} / min. 2 ^{st.} - max. 2 ^{st.} *	[Mcal/h]	48/66-153	77.5/102-204	109/143-306
Thermal power min.1 ^{st.} / min. 2 ^{st.} - max. 2 ^{st.} *	[kW]	56/77-178	90/118-236	127/166-355
Fuel: LIGHT-OIL 1.5 ^E at 20°C = 6.2 cSt = 35 sec Redwood N°1				
NO _x	[mg/kWh]	< 120:class 3 (EN267)		
Intermitted working operation (min. 1 stop every 24 hours) two steps pressure				
Environmental conditions operation / storage:	-15...+40°C / -20...+70°C, rel. humidity max. 80%			
Max. temperature combustion air	[°C]	60		
Nominal electric power	[W]	220	250	600
Fan motor	[W]	150	200	450
Nominal current absorption	[A]	1	1.1	2.7
Power supply:	1N~230V - 50Hz			
Electric protection degree:	IP 40			
Noisiness min. - max. **	[dBA]	66-66	67-68	71-72
Burner weight ***	[kg]	14	14	25

* Reference conditions: Environment temperature 20°C - Barometric pressure 1013 mbars - Altitude 0 metre (sea level).

** Measured sonorous pressure in the combustion laboratory, with burner on operation on beta boiler to 1m of distance (UNI EN ISO 3746).

*** For burner with iron cover (F) add 5 kg to the weight.

OPERATING RANGE DIAGRAM G X3.22-LX - G X4.22-LX - G X5.22-LX

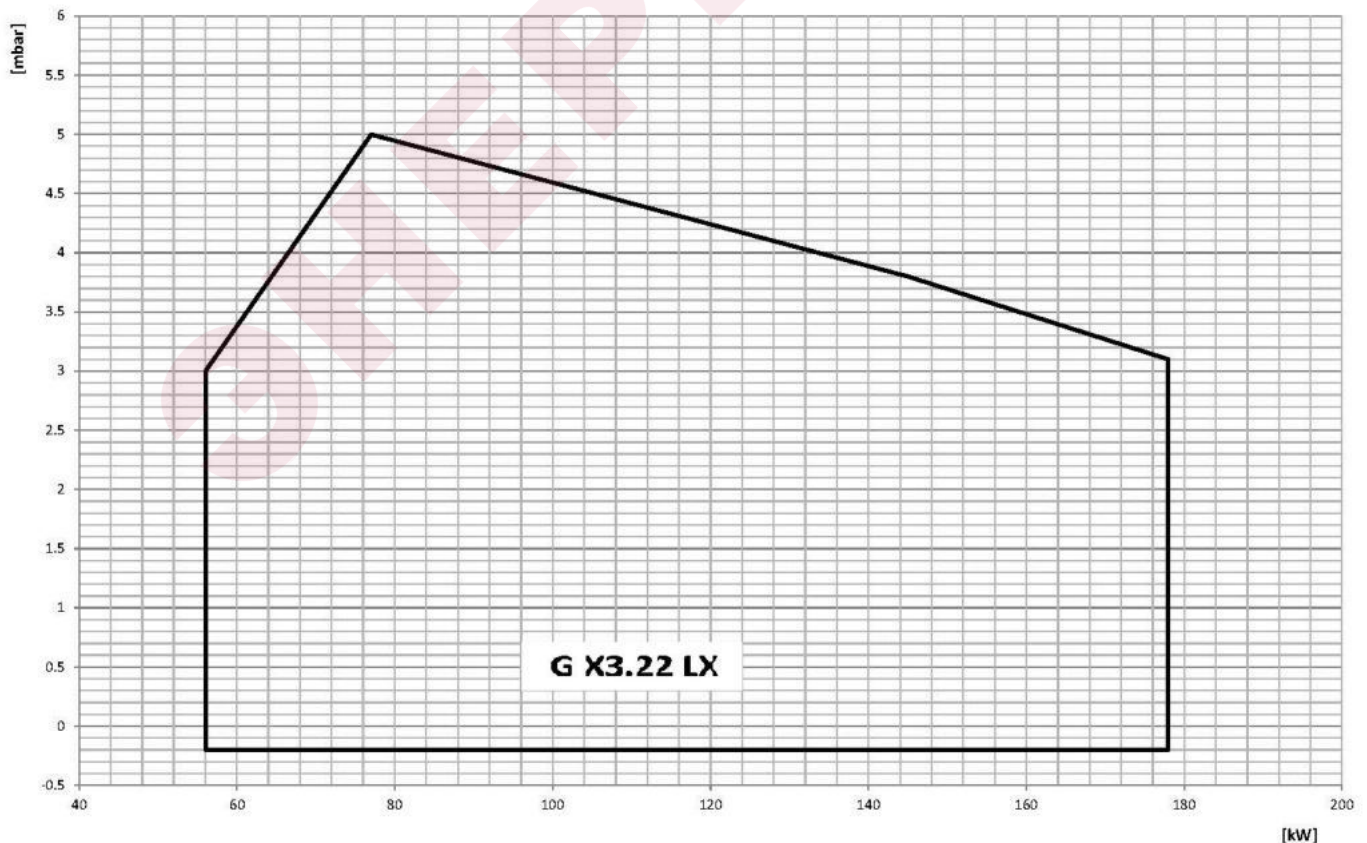


Fig. 4 X = Thermal power Y = Pression in the combustion chamber

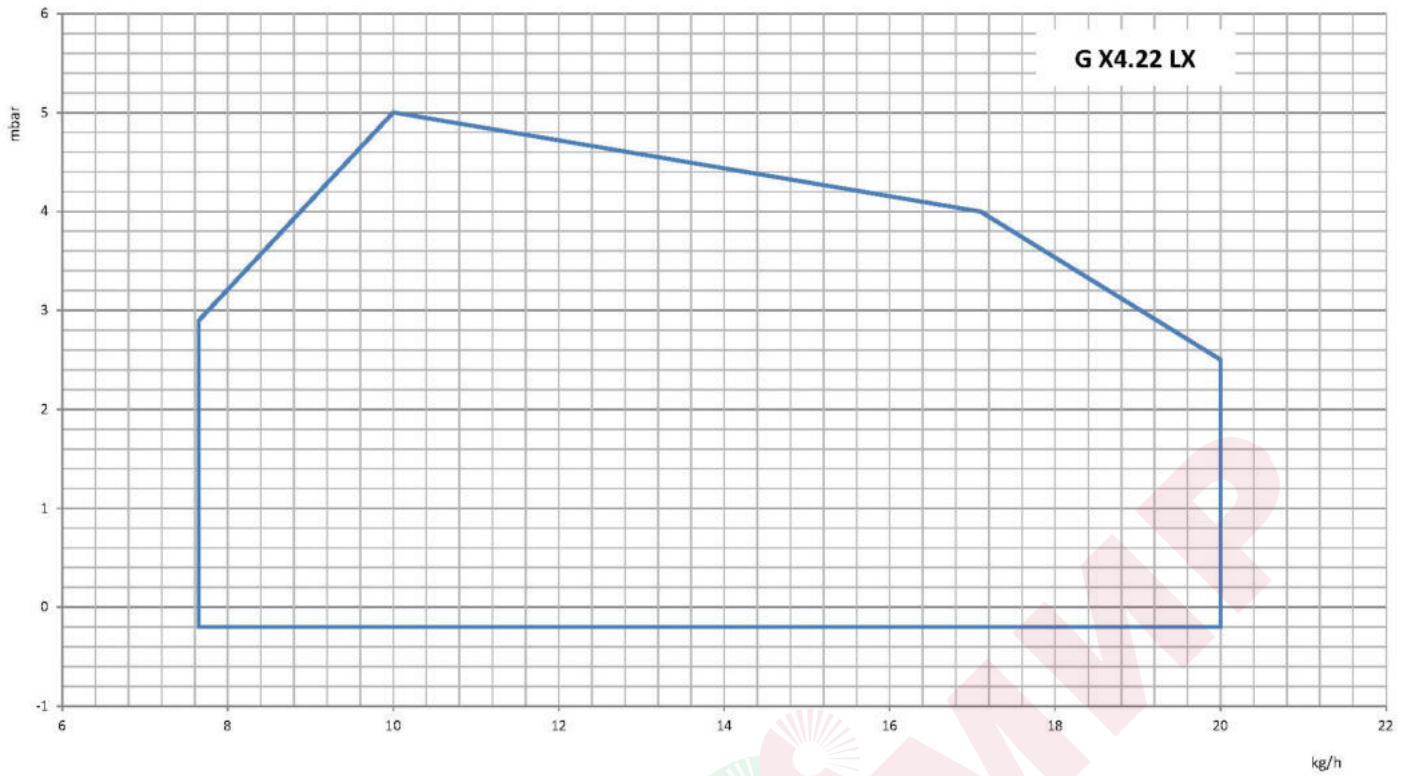


Fig. 5 X = Flow Y = Pressure in the combustion chamber

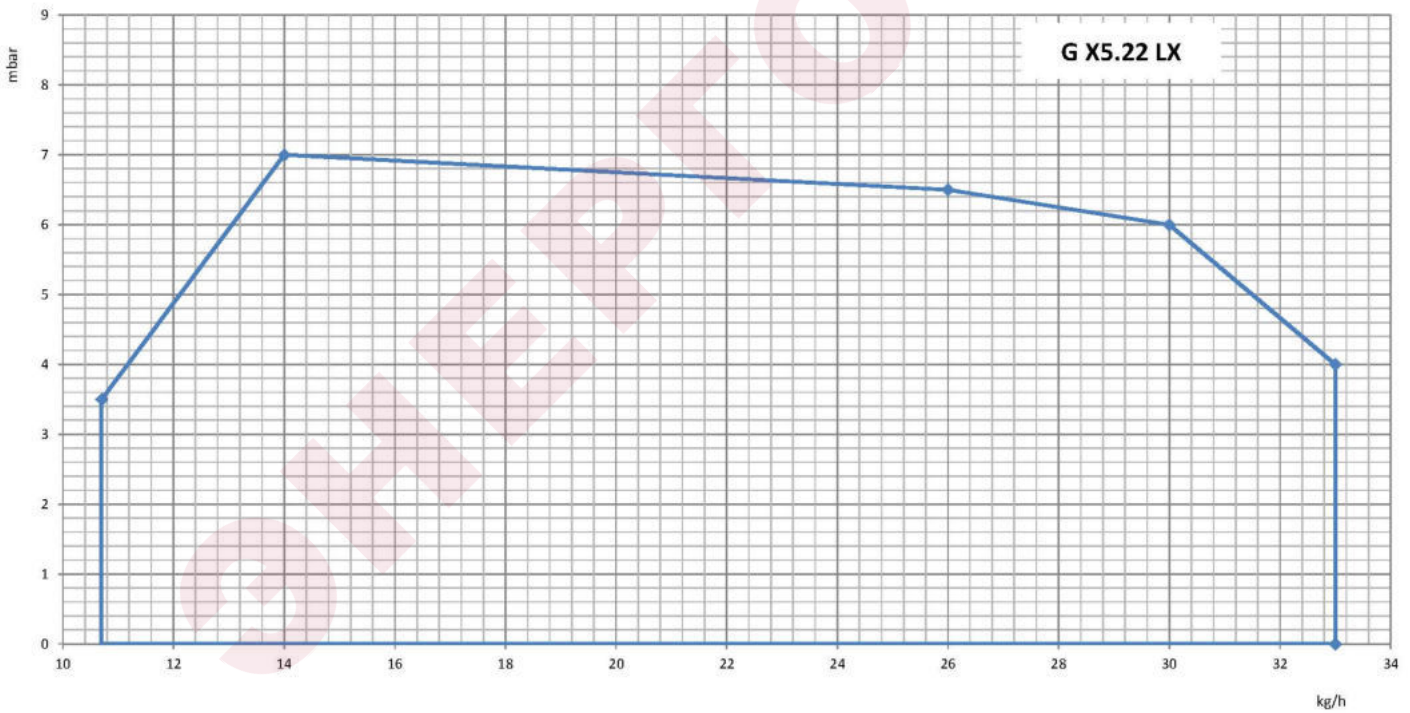


Fig. 6 X = Flow Y = Pressure in the combustion chamber

The firing rates has been obtained based on test boilers in accordance with EN267 standards and are indicative of matching the burner to the boiler. For the correct operation of the burner, combustion chamber dimensions must be in accordance with current regulation. In case of non-compliance, contact the manufacturer.

DIMENSIONS [MM]

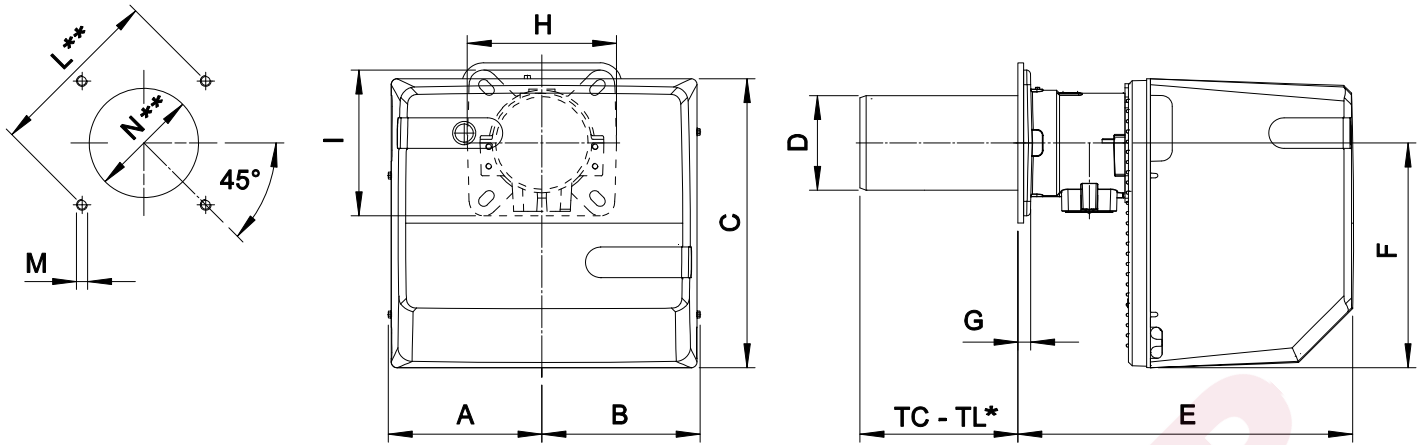


Fig. 7 Dimensions

MODEL	A	B	C	D	E	F	G	H	I	L min	L **	L max	M	N min	N **	N max
G X3.22-LX	182	192	318	110	306	248	17	200	200	160	170	226	M10	120	130	140
G X4.22-LX	210	218	400	133	461	310	18	200	200	205	220	226	M10	140	150	180
G X5.22-LX	210	218	400	133	461	310	18	200	200	205	220	226	M10	140	150	180

* See "flame tube length".

** Suggested dimension of connection between burner and generator.

FLAME TUBE LENGTH

Flame tube length must be selected based on the specifications supplied by boiler manufacturer and, in any case, it must be greater than the thickness of the boiler door included its insulation.

In case of boilers with flame inversion or front flue combustion chambers, it is necessary to insulate the area between the flame tube and front door with refractory material. This protection material must not impede flame tube extraction.

MODEL		TC	TL ***
G X3.22-LX	mm	130	250
G X4.22-LX	mm	215	335
G X5.22-LX	mm	215	335

*** For different flame lengths, please contact our Technical-Sales Department.

PRODUCT SPECIFICATION

SHORT DESCRIPTION

Light-oil burners at two steps pressure - Low NOx (NOx < 120 mg/kWh).

DETAILED SPECIFICATION

Light-oil burners at two steps pressure - Low NOx (NOx < 120 mg/kWh), composed by:

- Aluminium frame;
- Combustion head with micrometric adjustment, high flame stability and low emissions;
- Protection cover with noise reduction plate;
- Flange and insulating gasket for fixing at boiler;
- Single-phase power supply;
- UV scanner for flame detection;
- IP 40 electric protection level;
- Hydraulic system of regulation combustive air on the two stages of flame.

CONFORMING TO:

- CE rules;
- 2014/30/UE Directive E.M.C.;
- 2014/35/UE Directive L.V.;
- 2006/42/UE Directive M.D.;
- 2014/68/UE (ART.4,PAR.3); Directive P.E.D.;
- Reference rules: EN267 (liquid fuel) - EN746-2 (industrial thermoprocessing equipment).

STANDARD EQUIPMENT

- Connector 4 and 7 poles for electrical connections;
- Flexible hoses for connection;
- Line filter;
- Isomart gasket;
- Nozzle;
- Flange with insulating gasket;
- Burner nameplate;
- Warranty;
- Instruction handbook for installation, use and maintenance.