



- **Single-stage** burners (Eco), **single-stage burners with pre-heater** (Eco R) and **single-stage burners with long nozzle distributor** (Eco L).
- Suitable for medium pressurisation boilers.
- Low emissions.
- Combustion head control.
- Burner-external combustion air control.
- Air shutter with gravity stop flap.
- Stabilised ventilation.
- Excellent combustion thanks to the uniform distribution of air.
- Soundproof bonnet and for models Eco 3 - Eco 3R - Eco 5 N - Eco 5 RN with soundproofing inside.
- Compact size.

Installation and maintenance

- Easy installation and maintenance thanks to the universal perforation mobile flange (sliding from model ECO 8).

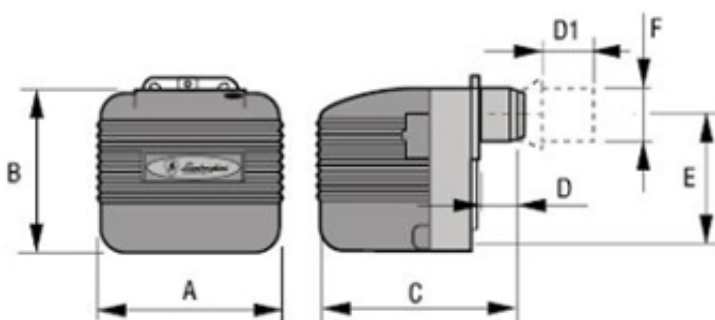
Accessories supplied

- Line filter, 2 flexible hoses, nozzle, nozzle spanner and boiler insulating seal.

Certification

- Eco burners are certified EC.

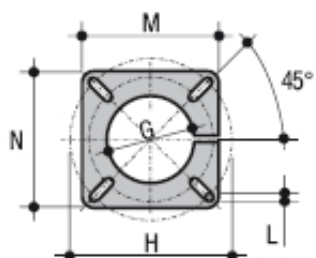
Dimensions (mm):



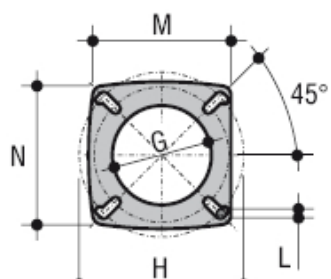


Model	A (mm)	B (mm)	C (mm)	D (mm)	D1 (mm)	E (mm)	F (mm)
ECO 3	250	215	320	90	-	60	80
ECO 5N	280	247	342	90	-	195	80
ECO 8	230	285	465	-	60÷120	232	89
ECO 10	230	285	483	-	60÷125	232	114
ECO 15	275	340	550	-	80÷150	274	114
ECO 20	275	340	535	-	60÷135	214	114
ECO 22	360	350	576	-	60÷200	275	120
ECO 30	420	423	770	-	70÷320	350	135
ECO 3R	250	215	320	90	-	160	80
ECO 5R	280	247	342	90	-	195	80
ECO 7R	280	247	410	-	40÷140	195	90

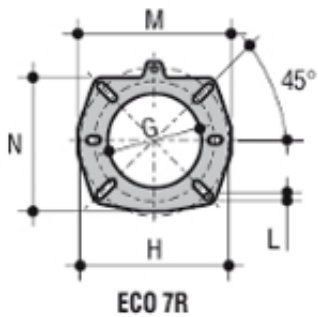
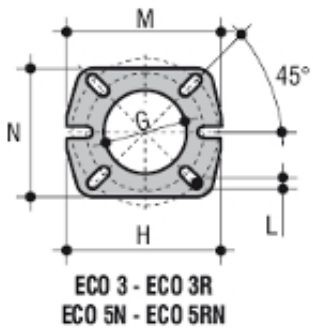
Mounting flange and Weight:



ECO 8 - ECO 10 - 10/L
ECO 15 - 15/L - ECO 20 - 20/L



ECO 22 - ECO 30



Model	G (Ø mm)	H (Ø mm)	L (Ø mm)	M (Ø mm)	N (Ø mm)	Weight(kg)
ECO 3	85	135 ÷ 160	M8	170	144	11,3
ECO 5N	85	135 ÷ 160	M8	170	144	12,5
ECO 8	95	127 ÷ 198	M8	160	160	12,6
ECO 10	120	155 ÷ 210	M8	180	180	12,6
ECO 15	120	155 ÷ 210	M8	180	180	16
ECO 20	120	155 ÷ 210	M8	180	180	17
ECO 22	135	160 ÷ 225	M10	225	205	23
ECO 30	145	172 ÷ 225	M10	225	205	33,5
ECO 10/L	120	110 ÷ 150	M8	180	180	13
ECO 15/L	120	110 ÷ 150	M8	180	180	15
ECO 20/L	120	110 ÷ 150	M8	180	180	15
ECO 3R	85	135 ÷ 160	M8	170	144	11,5
ECO 5RN	85	135 ÷ 160	M8	170	144	12,6
ECO 7 R	95	135 ÷ 160	M8	180	154	13,6



Characteristics circulator:

